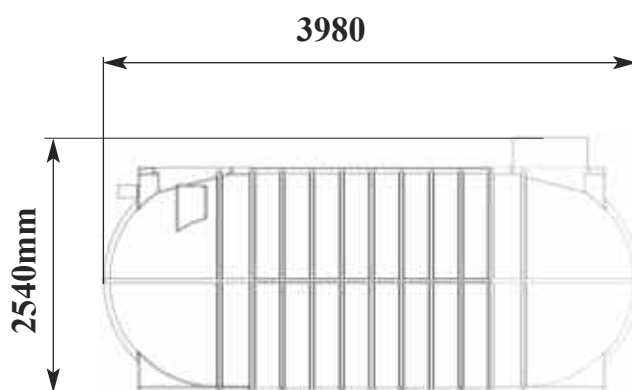
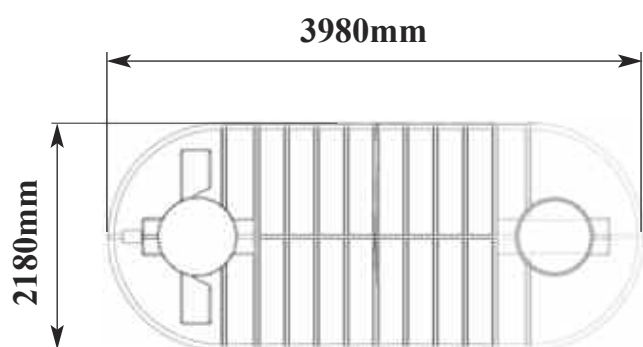
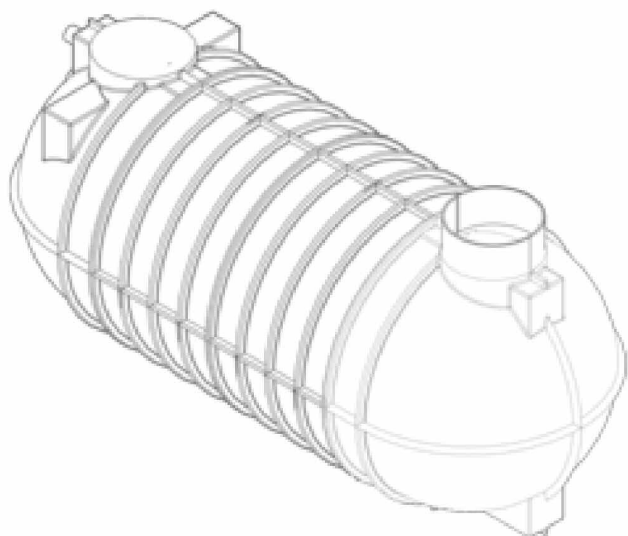
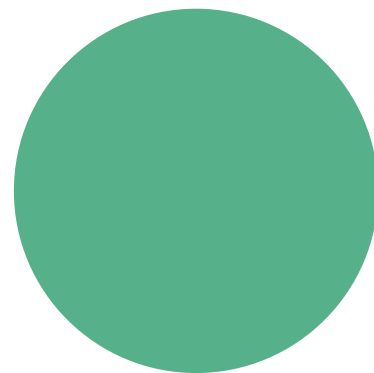


Think Tank Think ENDURATANK



UNDERGROUND TANK TECHNICAL SPECIFICATION

POTABLE	VTR-1000
CAPACITY (Litres)	10000
CAPACITY (Gallons)	2199.69
Galvanised Lid (mm)	600 x 600

Please note:
Tank sizes quoted are subject to a +/- 3% variation
Drawings not to scale

ENDURATANK®
A Division of ENDURAMAXX

© Enduramaxx 2017. Copyright of this drawing is reserved by Enduramaxx. The issue of this drawing is confidential disclosure of its contents, and is made conditional that it is neither disclosed to a third party, nor any item described herein and designed by Enduramaxx is produced either in whole or in part without the written consent of Enduramaxx.

Enduratank is a Registered Trading Name of Enduramaxx Limited