



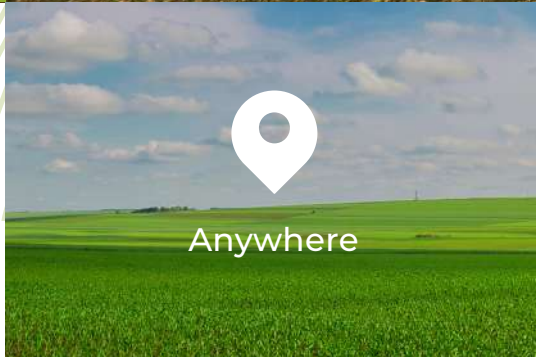
Semi-Automatic Filters

Quick and efficient
way to clean
manual filters

MASTERS OF FILTRATION



Anywhere



Any Water Source



Any Technology



**Farming is
our heritage.**
**Filtration is our
legacy.**

At Amiad, our roots are in the land. As farmers, we learned at firsthand what our crops need to thrive. We understand that every water source is different, and how water quality can greatly affect crop yield.

The filter is the first vital link in the irrigation chain. It's there to protect irrigation systems from damage, while delivering the best quality water.

We develop filters that are able to cope with any water quality, in any geographical location.

We've spent years mastering filtration technology so we can offer a wide range of filters for every farmer's needs including screen, disc or media technology. Our fully automated filtration systems save time, manpower and costs.

We consider every challenge as an opportunity to work side by side with our customers to solve their problems. We'll go anywhere to ensure our filters perform as expected, 24/7, every day of the year.

When you want a high performance filter for your irrigation system, consult with Amiad. We focus on doing what we do best.

Amiad. Masters of Filtration.



Disc
Technology



Screen
Technology



Media
Technology

Semi-Automatic Filters:

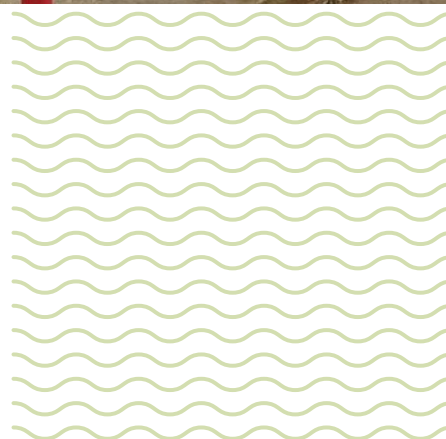
Upgrading your filter



SEMI-AUTOMATIC FILTERS FEATURES



Available as
an upgrade kit



Simple operation



Minimal
maintenance

Scanaway and Brushaway Filters and Kits

Amiad's unique Scanaway and Brushaway semi-automatic filters providing a quick and efficient way to clean your filter with a simple turn of the handle.

- No interruption of the process water flow during cleaning
- Clogging indicator to show when cleaning is required
- Low pressure loss
- Available as an upgrade kit for Amiad manual filters (plastic filters 2"-3", steel filters 3"-8")



How the Clogging Indicator Works

The Clogging Indicator is a special feature mounted on the filter pressure check points and acts like a "traffic light". When the pressure differential across the screen reaches a pre-set value of 0.5 bar (7 psi). The red button of the Clogging Indicator pops up to visually indicate that the filter needs to be cleaned.

How the Scanaway Assembly Works

The Scanaway assembly consists of a suction-scanner and a hollow pipe with suction nozzles that face the inner side of the screen. Outside the filter, a handle is connected to the suction-scanner, allowing turning of the scanner in a spiral movement so it rotates inside the screen surface without touching the screen mesh. Opening the exhaust valve at the filter lid creates low pressure conditions in the suction-scanner, which causes the scanner nozzles to suck in the dirt particles from the screen surface and expel the dislodged particles out through the exhaust valve. Scanning is done during the filtration process without interrupting the flow of process water through the filter.



How the Brushaway Assembly Works

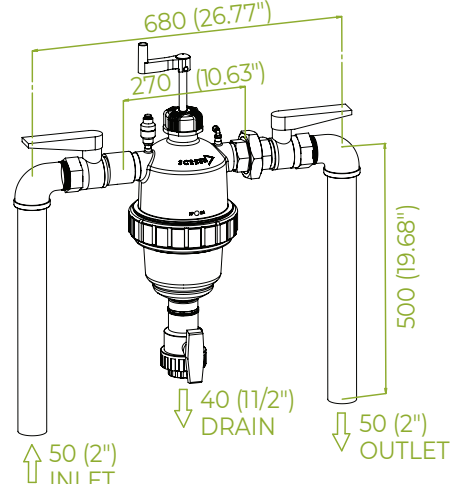
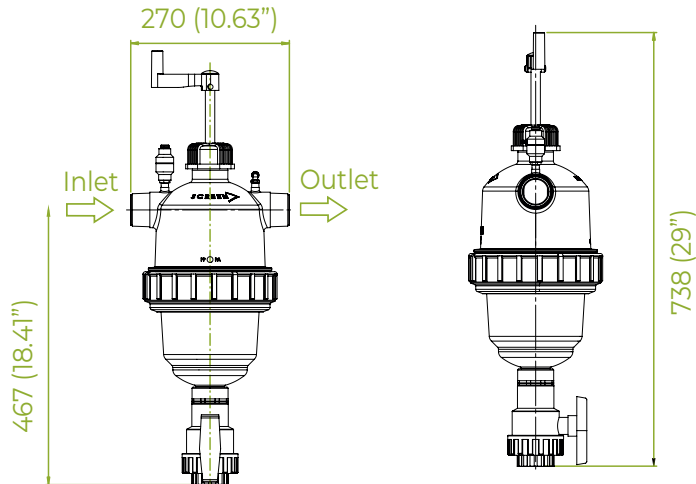
The Brushaway assembly consists of nylon brushes fitted on a frame and inserted into the filter screen. Outside the filter, a handle is connected to the brush unit, allowing rotation of the brushes to wipe the particles from the inner screen surface. Opening the exhaust valve allows the dislodged particles to then be expelled through the exhaust valve. Brushing is done during the filtering process without interrupting the flow of process water through the filter.



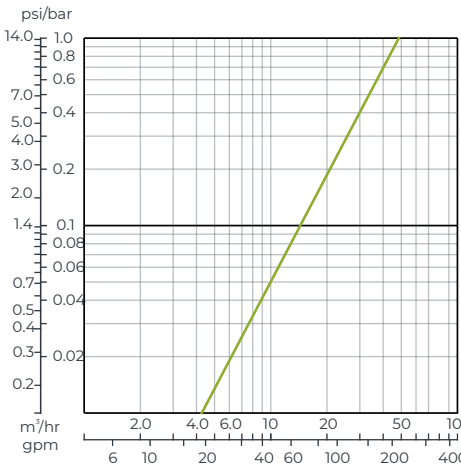
Semi-Automatic Filters: Models



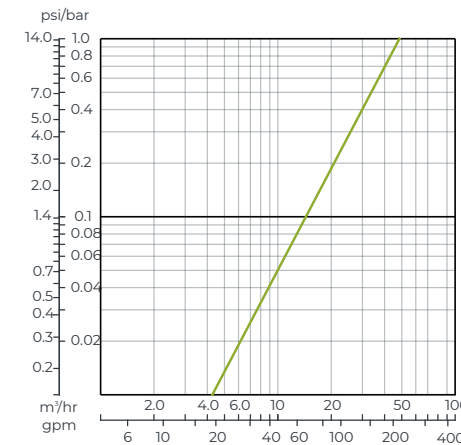
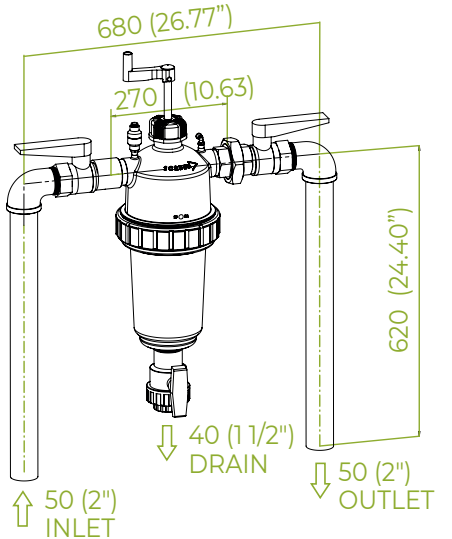
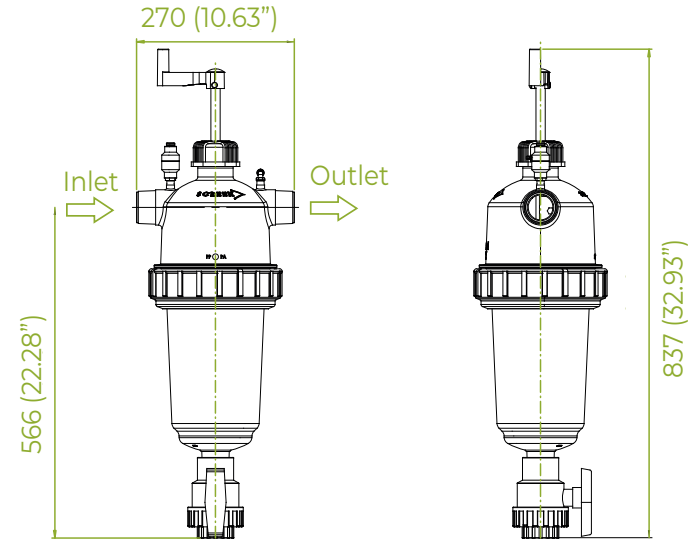
2"



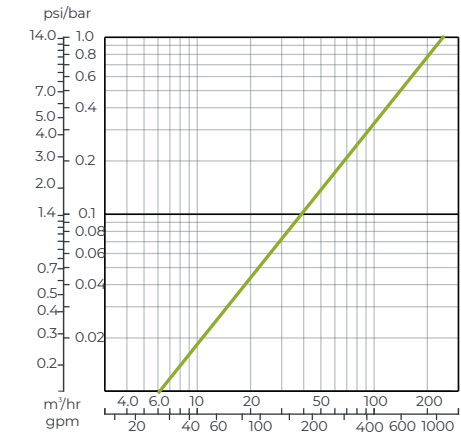
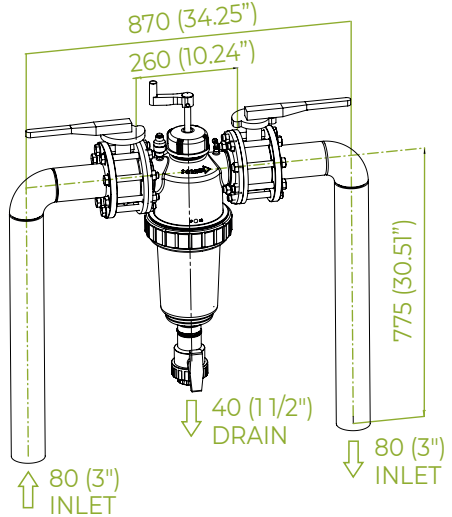
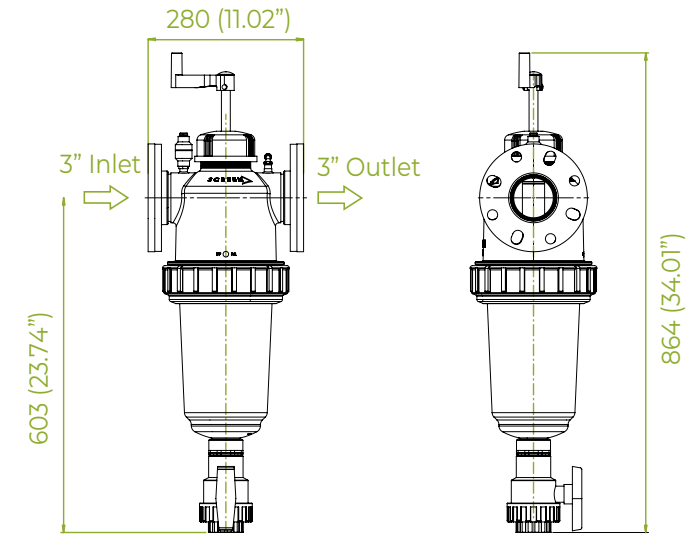
Pressure Loss Graphs (in clean water)



2" Super



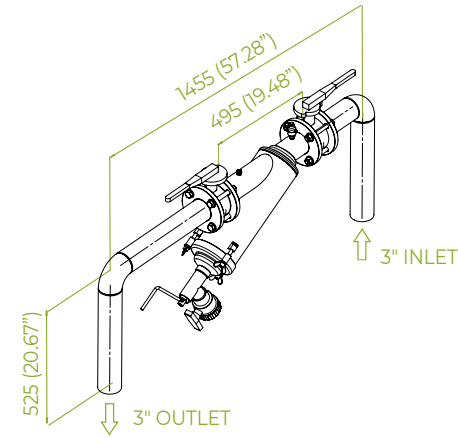
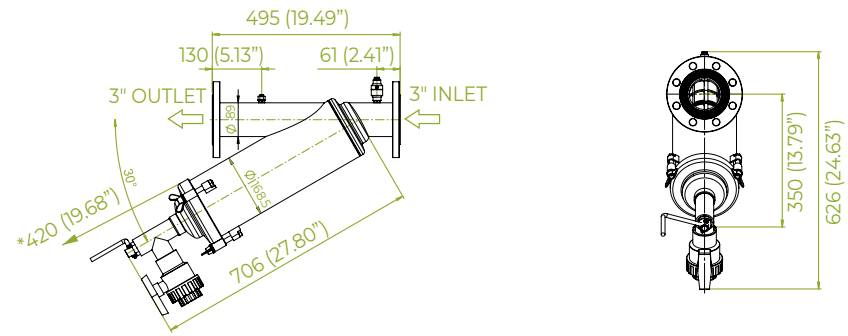
3"



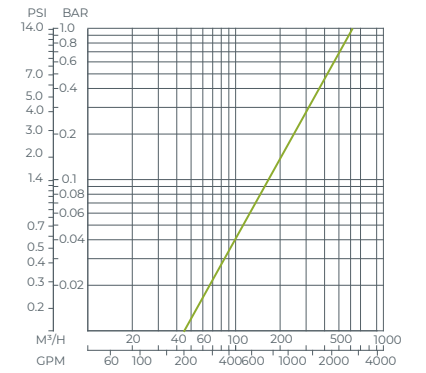
Semi-Automatic Filters: Models



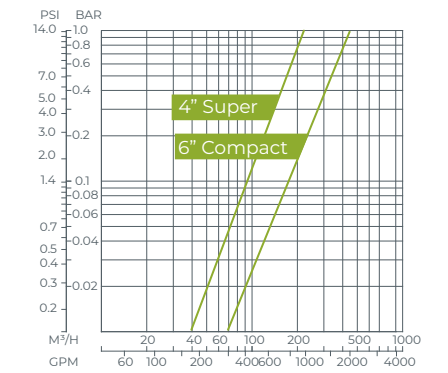
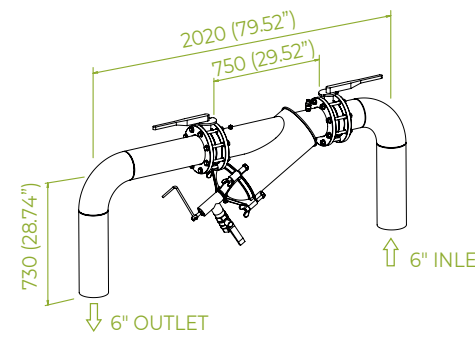
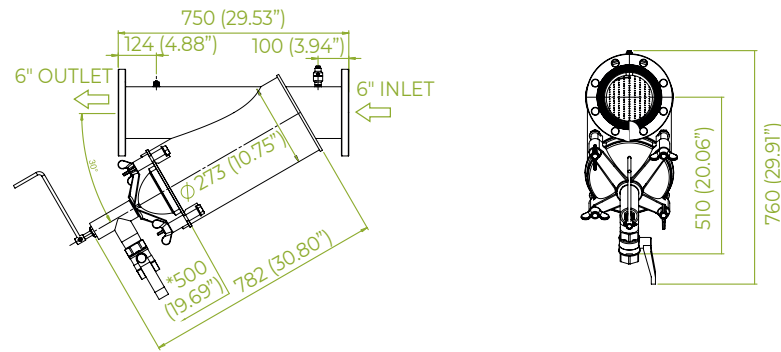
3" in-line



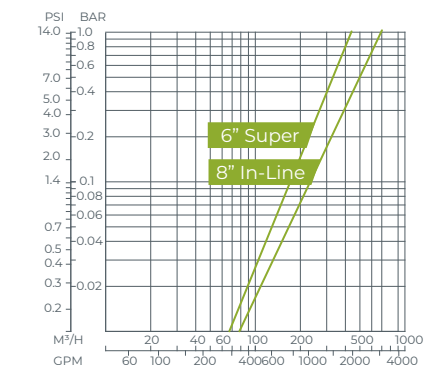
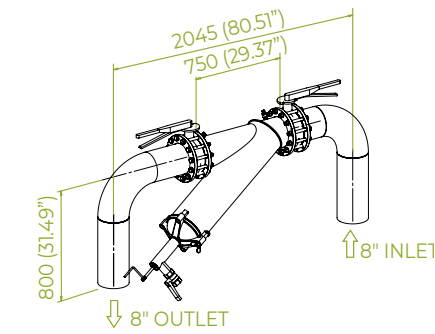
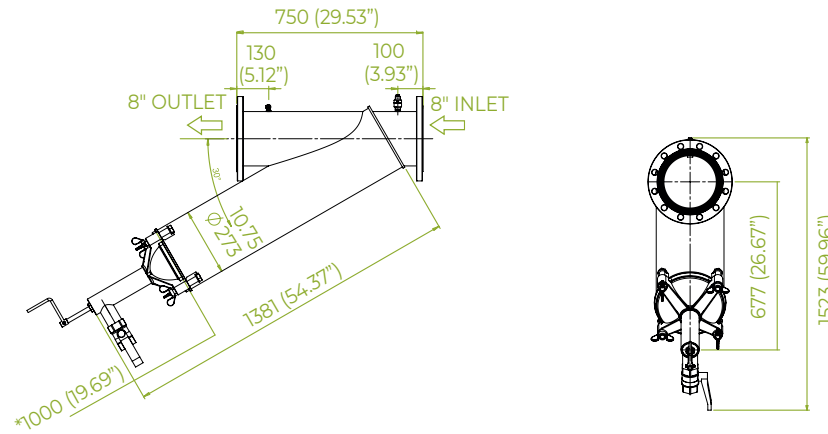
Pressure Loss Graphs (in clean water)



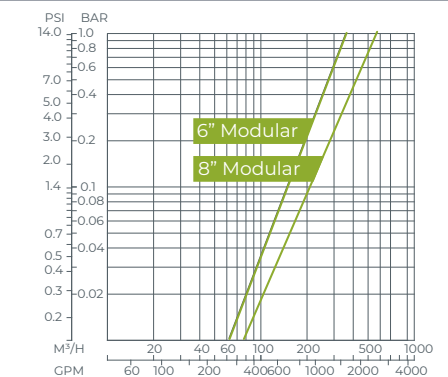
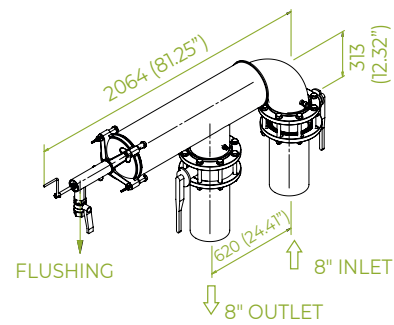
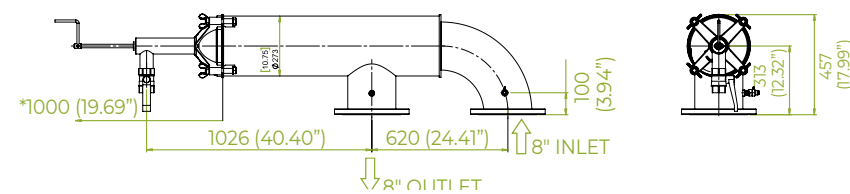
4" Super in-line | 6" Compact



6" Super in-line | 8" in-line



6" Super modular | 8" modular





Headquarters

Amiad Water Systems Ltd.

Web: www.amiad.com

E-mail: info@amiad.com

The Americas

USA

Amiad USA Inc.

Web: us.amiad.com | E-mail: infousa@amiad.com

Mexico

Amiad México SA DE CV,

Web: es.amiad.com | E-mail: infomexico@amiad.com

Irrigation office: E-mail: infomexico-irr@amiad.com

Asia

India

Amiad Filtration India Pvt Limited

Web: amiad.com | E-mail: info-india@amiad.com

China

Amiad China (Yixing Taixing Environtec Co., Ltd.)

Web: cn.amiad.com | E-mail: infochina@amiad.com

South-East Asia

Filtration & Control Systems Pte. Ltd.

Web: amiad.com | E-mail: info-singapore@amiad.com

Australia

Amiad Australia Pty Ltd.

Web: au.amiad.com | E-mail: sales@amiad.com

Europe

France

Amiad Water Systems Europe SAS

Web: fr.amiad.com

German branch office

Web: de.amiad.com

Amiad Water Systems UK Limited

Web: amiad.com | E-mail: info-uk@amiad.com



 **amiad** IRRIGATION

MASTERS OF FILTRATION

www.amiad.com

910101-000391/12.2022

Copyright © 2019 Amiad Water Systems Ltd. All rights reserved. The contents of this catalogue including without limitation all information and materials, images, illustrations, designs, icons, photographs, graphical presentations, designs, literary works, data, drawings, slogans, phrases, names, trademarks, titles and any other such materials that appear in this catalogue (collectively, the "Contents") are the sole property of Amiad Water Systems Ltd. ("Amiad"). Amiad has sole and exclusive right, title and interest in the Contents, including any intellectual property rights, whether registered or not, and all know-how contained or embodied therein. You may not reproduce, publish, transmit, distribute, display, modify, create derivative works from, sell or participate in any sale of, or exploit in any way, in whole or in part, any of the Contents or the catalogue. Any use of the catalogue or the Contents, other than for personal use, requires the advanced written permission of Amiad.