

### 1", 1.5" and 2" Large-Capacity RBY Filters



#### Applications

These large filters provide extra large filtration capacity for residential, commercial, and municipal applications. This means less cleaning and lower maintenance costs. The filter body and cover are made of high grade, high impact, thermo plastic, rated to withstand water up to 140° F and pressures up to 116 psi. With flow rates ranging from 26 gpm to 110 gpm, these filters are perfect for larger drip irrigation zones.

The stacked disc filters provide efficient, thorough filtration (120 mesh). The disc filter frame and discs are made of polypropylene.

The screen filters are easy to clean and provide reliable filtration (120 mesh). The screen filters are made from stainless steel and a polypropylene frame.

#### Features

- Durable Screen Filters can be removed for cleaning
- Disc Filters can decompress for easy cleaning
- Available with 120 mesh Stainless Steel Screen Filters or 120 mesh disc filters
- Auxiliary connection with a threaded cap can be drilled to allow draining or depressurization
- Larger filters for higher flow and lower maintenance

#### Operating Range

##### 1" Model:

**Maximum flow:** Up to 26 gpm (6 m<sup>3</sup>/hr)

**Filtering surface (disc):** 28 in<sup>2</sup> (180cm<sup>2</sup>)

##### 1.5" Models:

**Maximum flow:** Up to 88 gpm (20 m<sup>3</sup>/hr)

**Filtering surface (disc):** 83 in<sup>2</sup> (535 cm<sup>2</sup>)

**Filtering surface (screen):** 76 in<sup>2</sup> (490 cm<sup>2</sup>)

##### 2" Models:

**Maximum flow:** Up to 110 gpm (25 m<sup>3</sup>/hr)

**Filtering surface (disc):** 81 in<sup>2</sup> (525 cm<sup>2</sup>)

**Filtering surface (screen):** 75 in<sup>2</sup> (485 cm<sup>2</sup>)

**Maximum Pressure:** 116 psi (8 bar)

**Maximum Temperature:** Up to 140° F (60° C)

#### Specifications

##### • Inlet / Outlet Size:

1" Models: 1" NPT

1.5" Models: 1.5" NPT

2" Models: 2" NPT

##### Filtration:

Screen Filter: 120 Mesh (130 Micron)

Plastic Filter Discs: 120 Mesh (130 Micron)

#### Filter Types



**Screen Filter:** The 120 mesh screen filters are easy to clean and provide reliable filtration.



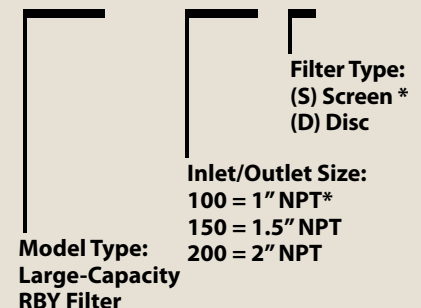
**Plastic Filter Discs:** These filters are made up of over a hundred grooved discs that allow water to pass while trapping debris. Less maintenance required due to large surface area.

#### Models

- LCRBY100D  
- 1" Large-Capacity Disc Filter
- LCRBY150S  
- 1.5" Large-Capacity Screen Filter
- LCRBY150D  
- 1.5" Large-Capacity Disc Filter
- LCRBY200S  
- 2" Large-Capacity Screen Filter
- LCRBY200D  
- 2" Large-Capacity Disc Filter

#### How To Specify

### LCRBY - 200 - S



\* Screen not available in 1" model

# 1", 1.5" and 2" Large-Capacity RBY Filters

## Filter Features



**Disc Filter:** These 120 mesh filters are made up of over a hundred grooved discs that allow water to pass while trapping debris. Less maintenance required due to large surface area.

**Durable:** Made of long-lasting engineering-grade plastic.

**Movable Discs:** threaded closure system locks discs into place while in operation and allows them to be decompressed for easy cleaning of the filter unit.



**Screen Filter:** The 120 mesh stainless steel screen filters are easy to clean and provide reliable filtration.

**Durable:** Made of durable 316 stainless steel (AISI). The frame is made of polypropylene.

**Easy to Clean:** Just rinse and replace.

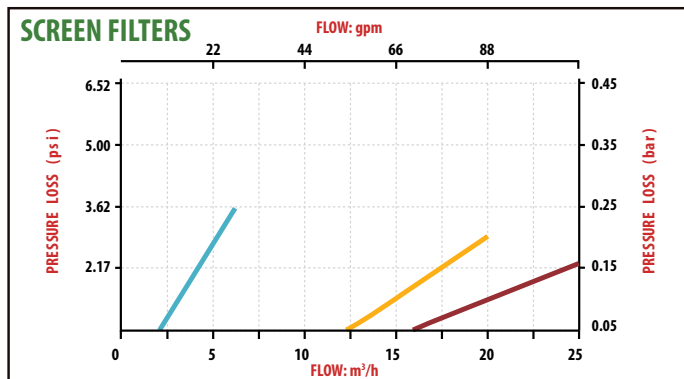
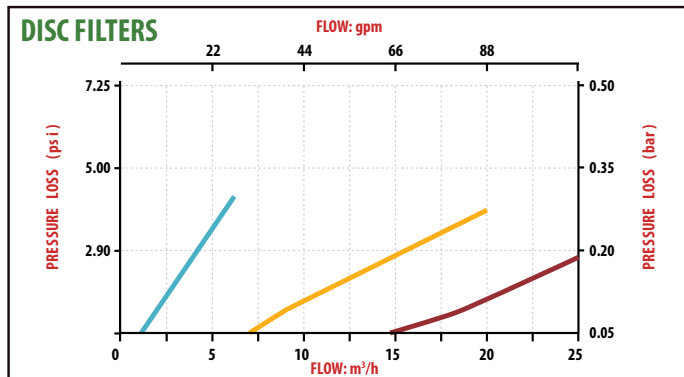
## Specifications

These filters shall provide in line filtration for flows ranging from 33 gpm to 110 gpm with a maximum pressure of 116 psi. The product will allow for manual removal and cleaning of the filter cartridge (disc or screen) without the requirement of a tool. The product will be equipped with ports for pressure gages and an auxiliary capped port that can be drilled out to provide draining or depressurization.

The filters do not provide pressure regulation.

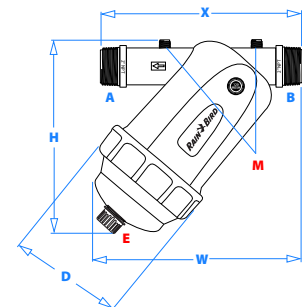
## Flow Rate vs. Pressure Loss

Large Capacity Filters  
120 Mesh / 130 micron



## Filter Housing Dimensions

Model	A-B	H	W	X	D
1"	1" NPT	6.81"	7.48"	6.22"	3.27"
1.5"	1.5" NPT	9.53"	10.28"	9.92"	5.67"
2"	2" NPT	9.76"	10.63"	10.51"	5.67"



**Rain Bird Corporation**  
6991 E. Southpoint Road  
Tucson, AZ 85756  
Phone: (520) 741-6100  
Fax: (520) 741-6522

**Rain Bird Technical Services**  
(800) RAINBIRD (1-800-724-6247)  
(U.S. and Canada)

**Rain Bird Corporation**  
970 West Sierra Madre Avenue  
Azusa, CA 91702  
Phone: (626) 812-3400  
Fax: (626) 812-3411

**Specification Hotline**  
800-458-3005 (U.S. and Canada)

**Rain Bird International, Inc.**  
1000 West Sierra Madre Ave.  
Azusa, CA 91702  
Phone: (626) 963-9311  
Fax: (626) 852-7343

The Intelligent Use of Water™  
[www.rainbird.com](http://www.rainbird.com)