


Position	Qty.	Description																																										
	1	<p>SBA 3-35 A</p>  <p style="text-align: center;">Note! Product picture may differ from actual product</p> <p>Product No.: 97896286</p> <p>The SBA is a complete all-in-one submersible booster pump for pumping clean water, it is especially suitable for rainwater application and small private wells. The SBA comes with an integrate control unit, eliminating the need for an external pump controller.</p> <p>With SBA it is literally a matter of "plug and pump". Once installed and connected to the piping; all you need to do is switch on the pump. The result is a reliable solution and greatly reduced installation costs.</p> <p>The pump is available in two main versions: With integrated suction strainer (1 mm mesh) Or with side inlet/flexible suction hose with floating suction strainer (1 mm mesh). Both variants are available with or without float switch, the float switch offers stop at low water level ensuring that surface fragments do not enter the strainer.</p> <p>Liquid:</p> <table> <tr> <td>Pumped liquid:</td> <td>Water</td> </tr> <tr> <td>Liquid temperature range:</td> <td>0 .. 40 °C</td> </tr> <tr> <td>Liquid temp:</td> <td>20 °C</td> </tr> <tr> <td>Density:</td> <td>998.2 kg/m³</td> </tr> </table> <p>Technical:</p> <table> <tr> <td>Rated flow:</td> <td>2.76 m³/h</td> </tr> <tr> <td>Rated head:</td> <td>25.2 m</td> </tr> <tr> <td>Impeller nom:</td> <td>102 mm</td> </tr> <tr> <td>Type of impeller:</td> <td>CLOSED</td> </tr> <tr> <td>Maximum particle size:</td> <td>1 mm</td> </tr> <tr> <td>Approvals and markings:</td> <td>1</td> </tr> <tr> <td>Curve tolerance:</td> <td>ISO9906:2012 3B</td> </tr> <tr> <td>Start pressure:</td> <td>Automatic</td> </tr> </table> <p>Materials:</p> <table> <tr> <td>Pump housing:</td> <td>PP30GF</td> </tr> <tr> <td>Impeller:</td> <td>PPO20GF</td> </tr> </table> <p>Installation:</p> <table> <tr> <td>Maximum ambient temperature:</td> <td>50 °C</td> </tr> <tr> <td>Pump outlet:</td> <td>G 1"</td> </tr> <tr> <td>Maximum installation depth:</td> <td>10 m</td> </tr> <tr> <td>Type of suction:</td> <td>STRAINER</td> </tr> </table> <p>Electrical data:</p> <table> <tr> <td>C run:</td> <td>13 µF</td> </tr> <tr> <td>Mains frequency:</td> <td>50 Hz</td> </tr> <tr> <td>Rated voltage:</td> <td>1 x 220-240 V</td> </tr> </table>	Pumped liquid:	Water	Liquid temperature range:	0 .. 40 °C	Liquid temp:	20 °C	Density:	998.2 kg/m ³	Rated flow:	2.76 m ³ /h	Rated head:	25.2 m	Impeller nom:	102 mm	Type of impeller:	CLOSED	Maximum particle size:	1 mm	Approvals and markings:	1	Curve tolerance:	ISO9906:2012 3B	Start pressure:	Automatic	Pump housing:	PP30GF	Impeller:	PPO20GF	Maximum ambient temperature:	50 °C	Pump outlet:	G 1"	Maximum installation depth:	10 m	Type of suction:	STRAINER	C run:	13 µF	Mains frequency:	50 Hz	Rated voltage:	1 x 220-240 V
Pumped liquid:	Water																																											
Liquid temperature range:	0 .. 40 °C																																											
Liquid temp:	20 °C																																											
Density:	998.2 kg/m ³																																											
Rated flow:	2.76 m ³ /h																																											
Rated head:	25.2 m																																											
Impeller nom:	102 mm																																											
Type of impeller:	CLOSED																																											
Maximum particle size:	1 mm																																											
Approvals and markings:	1																																											
Curve tolerance:	ISO9906:2012 3B																																											
Start pressure:	Automatic																																											
Pump housing:	PP30GF																																											
Impeller:	PPO20GF																																											
Maximum ambient temperature:	50 °C																																											
Pump outlet:	G 1"																																											
Maximum installation depth:	10 m																																											
Type of suction:	STRAINER																																											
C run:	13 µF																																											
Mains frequency:	50 Hz																																											
Rated voltage:	1 x 220-240 V																																											



Company name:

Created by:

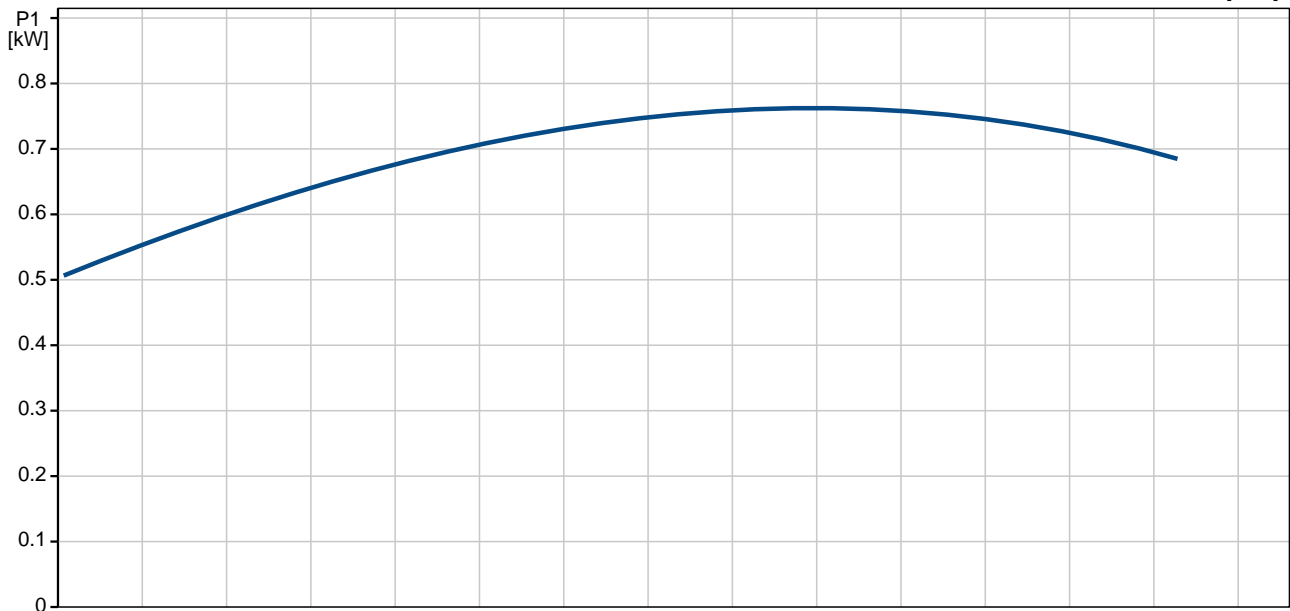
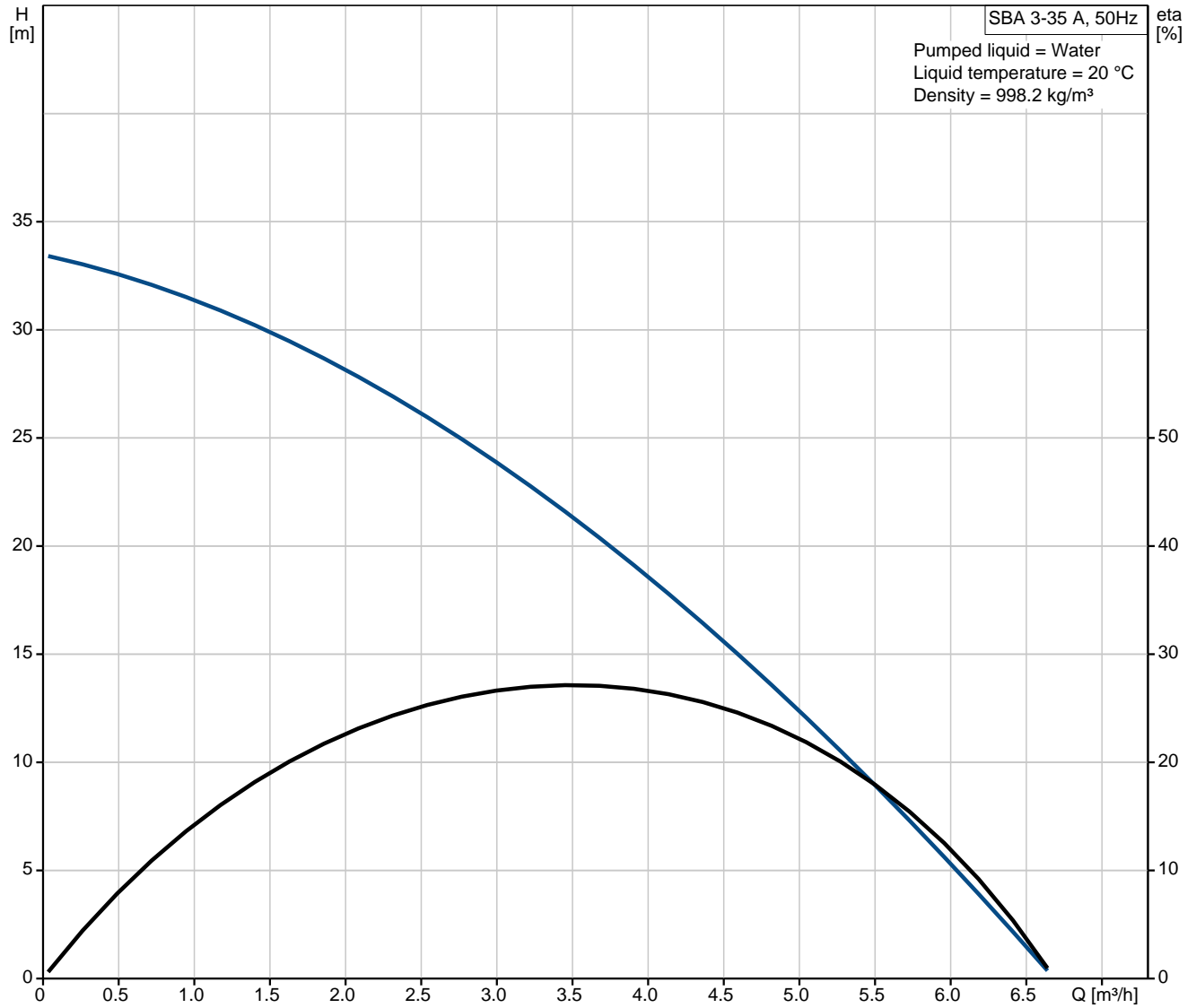
Phone:

Date:

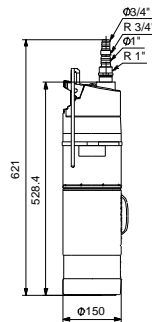
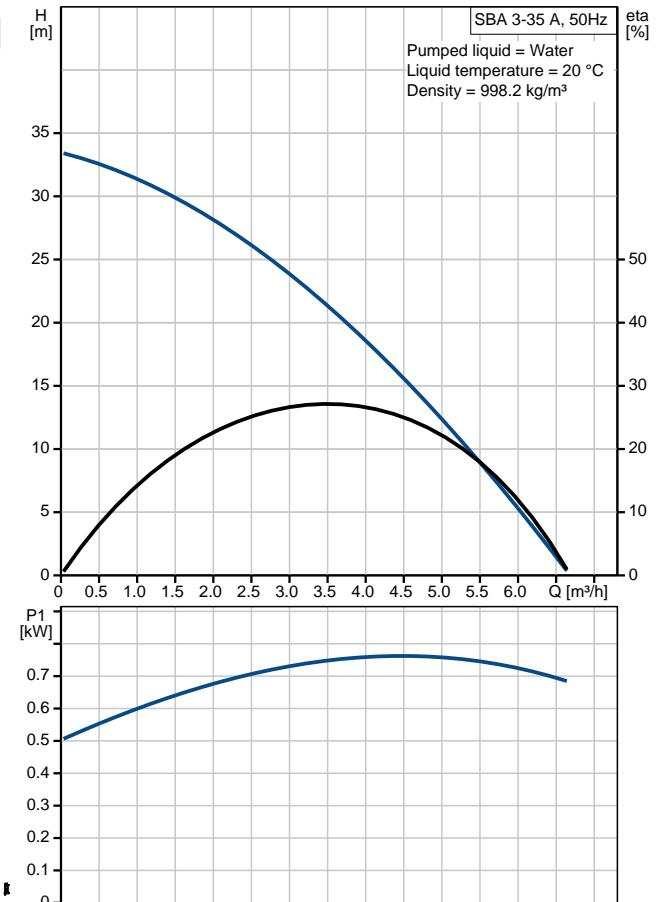
2/24/2016

Position	Qty.	Description
		Rated current: 3.8 A Starting current: 12 A Cos phi: 0,94 Rated speed: 2800 rpm Capacitor size - run: 13 μ F/450 V Enclosure class (IEC 34-5): IP68 Insulation class (IEC 85): F Length of cable: 15 m Cable type: H07RN-F 3G1 Type of cable plug: SCHUKO Others: Net weight: 9.42 kg Gross weight: 10 kg Shipping volume: 0.022 m ³

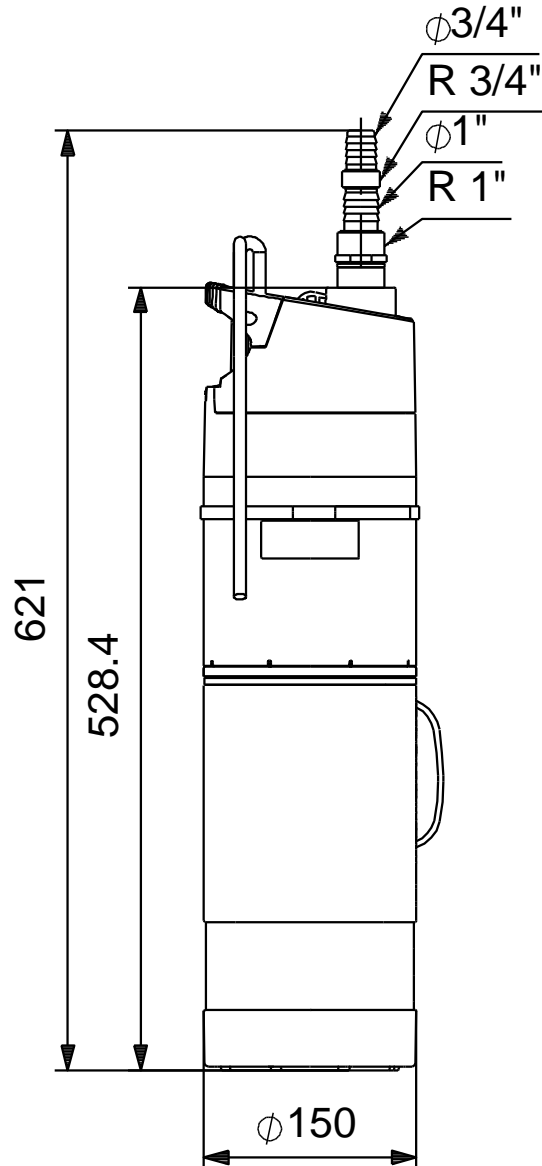
97896286 SBA 3-35 A 50 Hz



Description	Value
General information:	
Product name:	SBA 3-35 A
Product No:	97896286
EAN number:	5710626001712
Price:	On request
Technical:	
Rated flow:	2.76 m ³ /h
Rated head:	25.2 m
Impeller nom:	102 mm
Type of impeller:	CLOSED
Impellers:	3
Maximum particle size:	1 mm
Approvals and markings:	1
Curve tolerance:	ISO9906:2012 3B
Start pressure:	Automatic
Materials:	
Pump housing:	PP30GF
Impeller:	PPO20GF
Installation:	
Maximum ambient temperature:	50 °C
Pump outlet:	G 1"
Maximum installation depth:	10 m
Type of suction:	STRAINER
Liquid:	
Pumped liquid:	Water
Liquid temperature range:	0 .. 40 °C
Liquid temp:	20 °C
Density:	998.2 kg/m ³
pH-value range:	4-9
Electrical data:	
C run:	13 µF
Mains frequency:	50 Hz
Rated voltage:	1 x 220-240 V
Rated current:	3.8 A
Starting current:	12 A
Cos phi:	0,94
Rated speed:	2800 rpm
Capacitor size - run:	13 µF/450 V
Enclosure class (IEC 34-5):	IP68
Insulation class (IEC 85):	F
Motor protec:	YES
Length of cable:	15 m
Cable type:	H07RN-F 3G1
Type of cable plug:	SCHUKO
Controls:	
Flow switch:	yes
Others:	
Net weight:	9.42 kg
Gross weight:	10 kg
Shipping volume:	0.022 m ³



97896286 SBA 3-35 A 50 Hz



Note! All units are in [mm] unless others are stated.
Disclaimer: This simplified dimensional drawing does not show all details.