

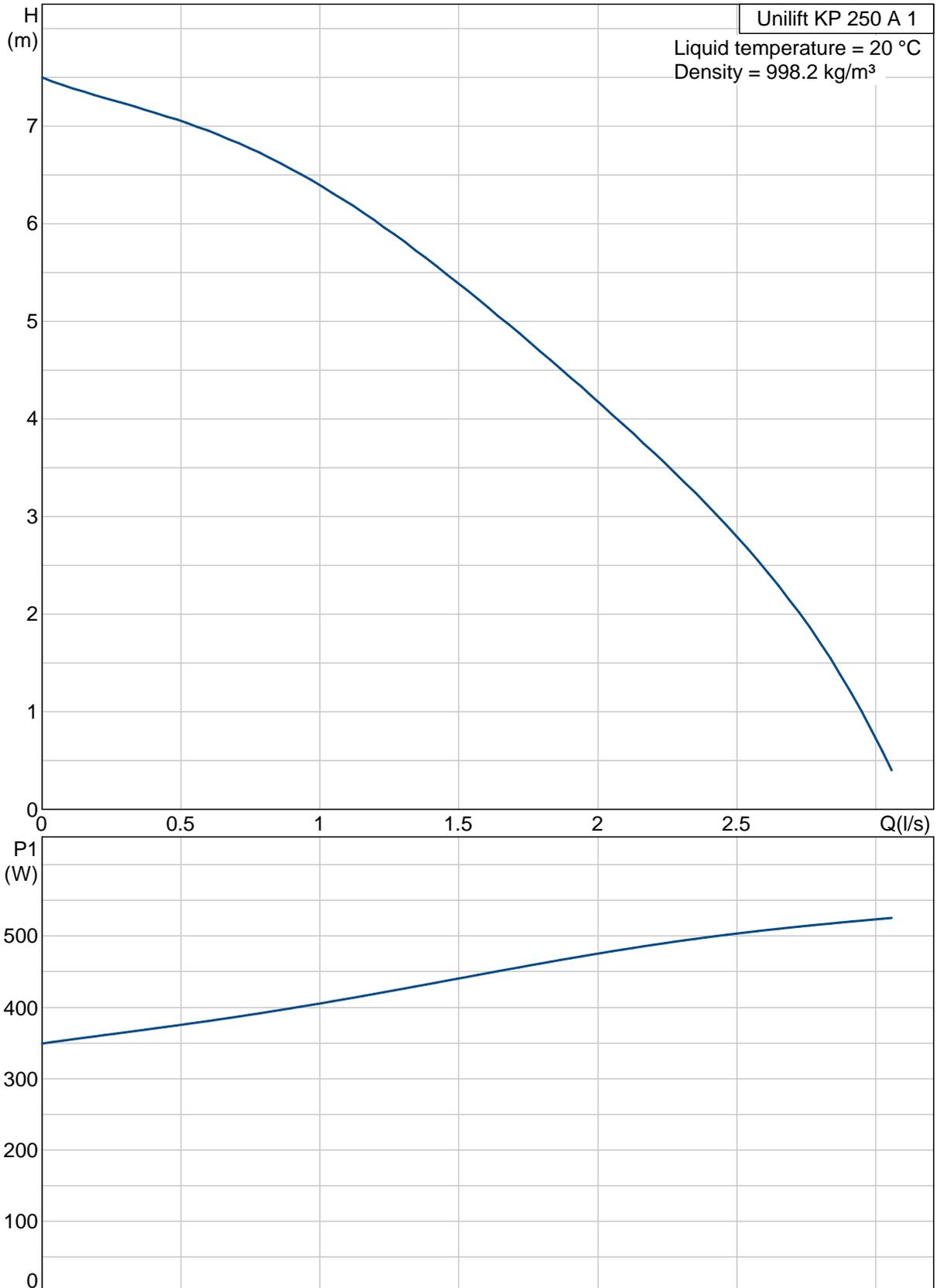


Position	Qty.	Description	Single Price
	1	<p>Unilift KP 250 A 1</p>  <p>Note! Product picture may differ from actual product</p> <p>Product No.: 012K7700 Submersible drainage pump</p> <p>Vertical single-stage stainless steel submersible pump with vertical discharge port and integrated submersible 1-phase canned motor in insulation class F with thermal overload protection.</p> <p>The pump is fitted with suction strainer and a carrying handle and is supplied with a 5 m mains cable and float switch for automatic start and stop.</p> <p>The impeller is a semi-open impeller for 10 mm free passage suitable for pumping groundwater, surface water, rain water and similar liquids.</p> <p>The pump has a double shaft seal consisting of two lip seals with grease in-between.</p> <p>The pump has an outer casing ensuring continuous cooling of the motor by the pumped liquid. The rotor shaft operates in two maintenance-free carbon bearings cooled by the pumped liquid.</p> <p>The motor is filled with a non-toxic motor liquid.</p> <p>Liquid: Liquid temperature range: 0 .. 50 °C</p> <p>Technical: Maximum particle size: 10 mm Curve tolerance: ISO 9906 Annex A</p> <p>Materials: Pump housing: Stainless steel DIN W.-Nr. 1.4301 AISI 304 Impeller: Stainless steel DIN W.-Nr. 1.4031 AISI 304</p>	On request

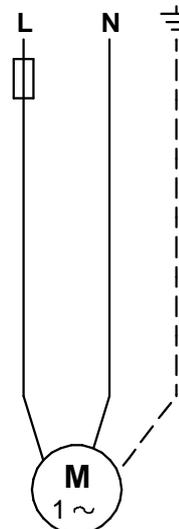
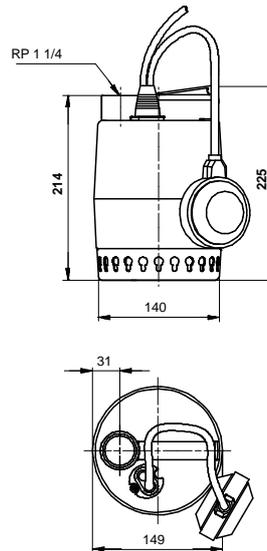
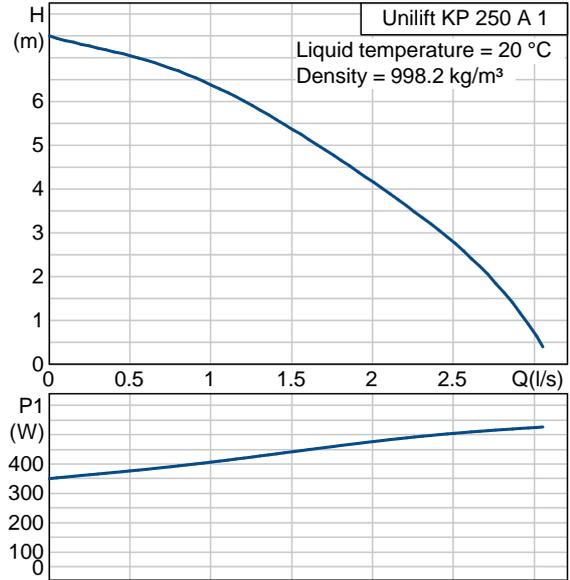
Position	Qty.	Description	Single Price
		<p>Installation:</p> <p>Pump outlet: Rp 1 1/4</p> <p>Maximum installation depth: 10 m</p> <p>Electrical data:</p> <p>Power input - P1: 480 W</p> <p>Mains frequency: 50 Hz</p> <p>Rated voltage: 1 x 230-240 V</p> <p>Rated current: 2.2 A</p> <p>Capacitor size - run: 8 µF/400 V</p> <p>Enclosure class (IEC 34-5): 68</p> <p>Insulation class (IEC 85): F</p> <p>Length of cable: 5 m</p> <p>Type of cable plug: NONE</p> <p>Others:</p> <p>Net weight: 7 kg</p> <p>Gross weight: 7 kg</p> <p>Shipping volume: 0.013 m3</p>	



012K7700 Unilift KP 250 A 1 50 Hz

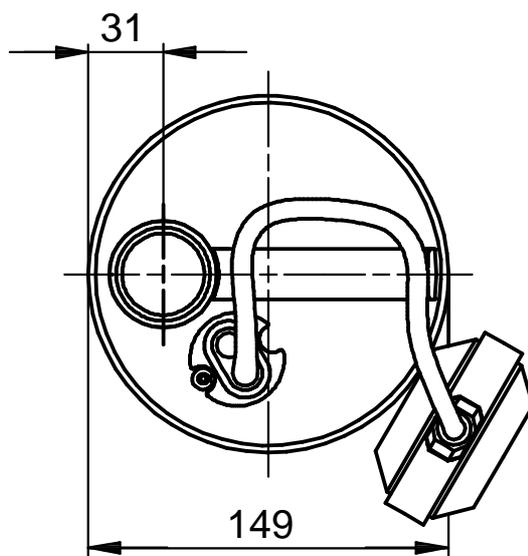
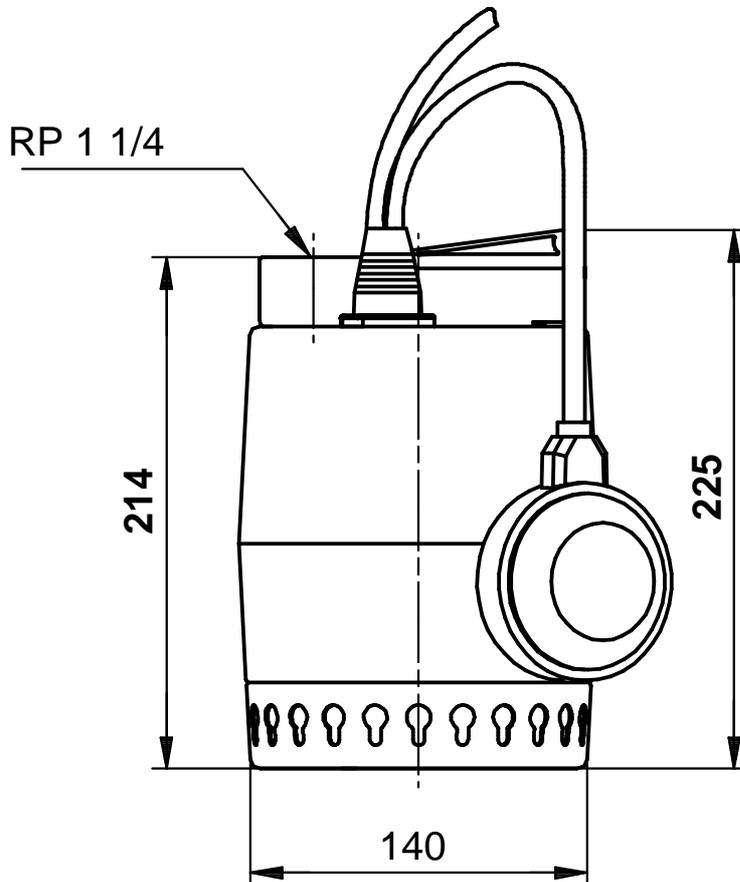


Description	Value
Product name:	Unilift KP 250 A 1
Product No:	012K7700
EAN number:	5700391117237
Technical:	
Max flow:	3.11 l/s
Head max:	7.5 m
Maximum particle size:	10 mm
Curve tolerance:	ISO 9906 Annex A
Model:	A
Materials:	
Pump housing:	Stainless steel DIN W.-Nr. 1.4301 AISI 304
Impeller:	Stainless steel DIN W.-Nr. 1.4031 AISI 304
Installation:	
Pump outlet:	Rp 1 1/4
Maximum installation depth:	10 m
Liquid:	
Liquid temperature range:	0 .. 50 °C
Electrical data:	
Power input - P1:	480 W
Mains frequency:	50 Hz
Rated voltage:	1 x 230-240 V
Rated current:	2.2 A
Capacitor size - run:	8 µF/400 V
Enclosure class (IEC 34-5):	68
Insulation class (IEC 85):	F
Motor protec:	CONTACT
Thermal protec:	internal
Length of cable:	5 m
Type of cable plug:	NONE
Controls:	
Level switch:	float switch
Others:	
Net weight:	7 kg
Gross weight:	7 kg
Shipping volume:	0.013 m3





012K7700 Unilift KP 250 A 1 50 Hz



Note! All units are in [mm] unless others are stated.
Disclaimer: This simplified dimensional drawing does not show all details.