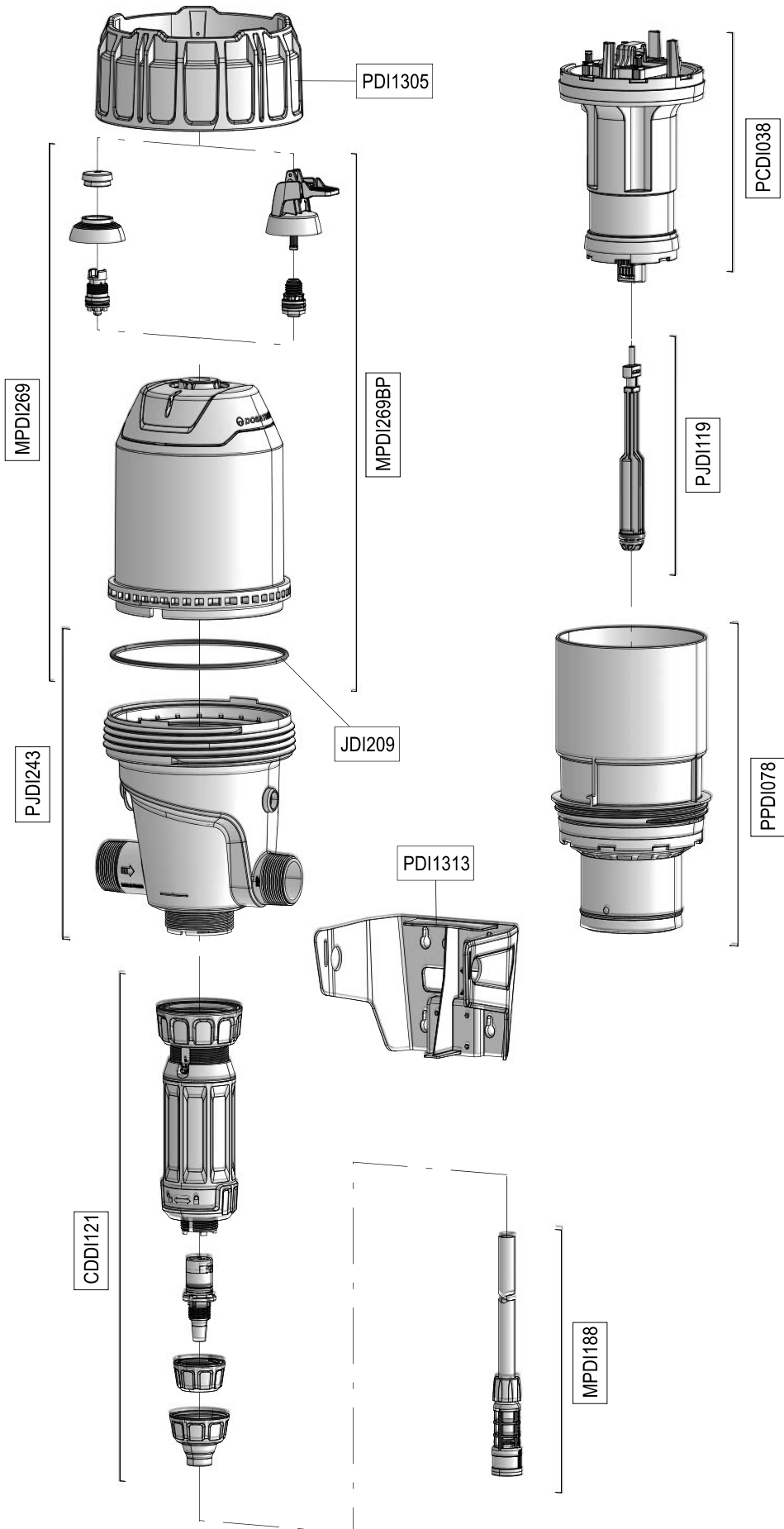


D6 0.2 - 2%

6m³/h - 0.2 - 2%
26 GPM - 1:500 - 1:50
0.3 - 8 bar
4.3 - 116 PSI



D6 0.2 - 2%

6m³/h - 0.2 - 2%
26 GPM - 1:500 - 1:50
0.3 - 8 bar
4.3 - 116 PSI

CDDI121



PJD1246

