

Micro Irrigation Tube Punch



The Antelco Micro Irrigation Tube Punch is ideal for punching holes in low pressure irrigation tubes.

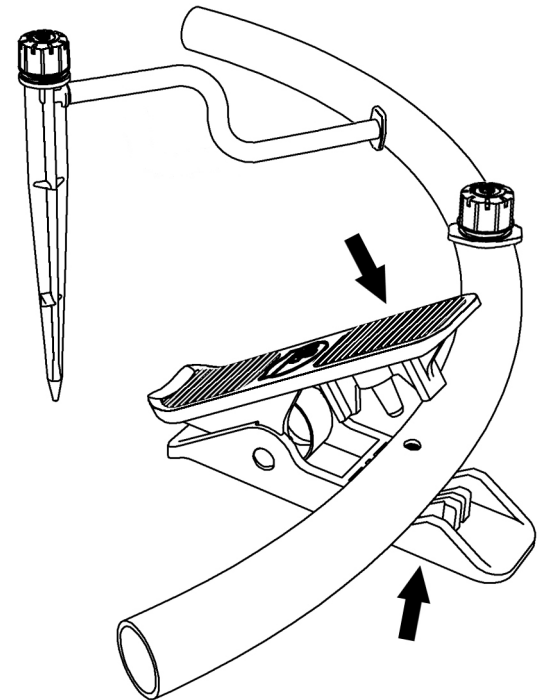
Features

- Protected punch and spring action keeps punch out of harm's way when not in use.
- Pierces a clean hole and removes wad leaving tube free of debris.
- Barcoded for easy retail transaction.
- Packaging meets safety and recycling requirements.

Applications

Ideal for punching holes in low density poly tubes up to an outside diameter of 16 mm. Pierced hole is suitable for inserting 4 mm barbed micro irrigation emitters and fittings.

Micro Irrigation Tube Punch



Specifications

DIMENSIONS ASSEMBLED			MATERIAL		COLOUR
PRODUCT ONLY	PACKAGED				
HEIGHT	25 mm	28 mm	BASE	ABS	Yellow Yellow
WIDTH	37 mm	98 mm	TOP	ABS	
LENGTH	98 mm	154 mm	SPRING	spring steel	
WEIGHT	32 g	45 g	PUNCH	hardened steel	

For all your Irrigation Requirements under one roof!

www.sprinkler-irrigation.co.uk

Sprinkler Irrigation Systems Ltd
 Tell +44 1384 423150
 Fax +44 1384 886440
 Email: Sales@sprinkler-irrigation.co.uk