

# Micro Irrigation Tube Cutter



The Antelco Micro Irrigation Tube Cutter is ideal for cutting low pressure irrigation tubes for micro irrigation installations.

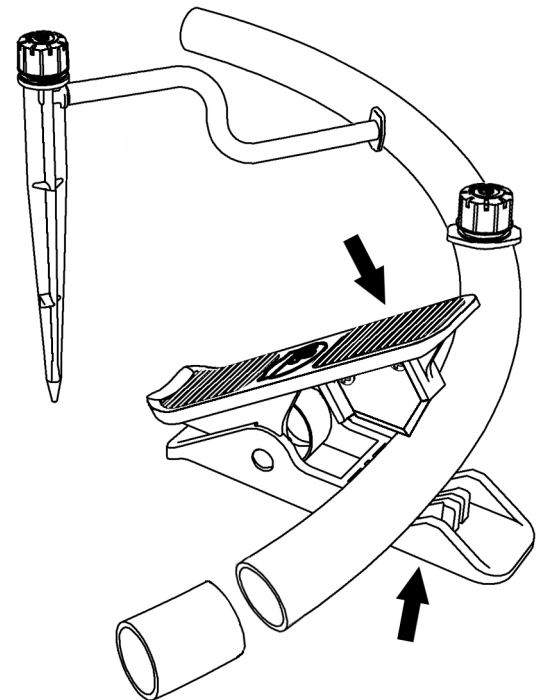
## Features

- Protected blade and spring action keeps tool blade out of harm's way when not in use.
- Square cutting action perfectly prepares tube for the installation of poly tube fittings.
- Barcoded for easy retail transaction.
- Packaging meets safety and recycling requirements.

## Applications

Ideal for cutting low density poly tubes, clear vinyl tubes (CVT) and hydroponic tubes up to an outside diameter of 16 mm.

## Micro Irrigation Tube Cutter



## Specifications

DIMENSIONS ASSEMBLED			MATERIAL		COLOUR
PRODUCT ONLY	PACKAGED				
HEIGHT	25 mm	28 mm	BASE	ABS	Red
WIDTH	37 mm	98 mm	TOP	ABS	Red
LENGTH	98 mm	154 mm	SPRING	spring steel	
WEIGHT	32 g	45 g	SCREWS	zinc plated steel	
			BLADE	hardened steel	

*For all your Irrigation Requirements under one roof!*

[www.sprinkler-irrigation.co.uk](http://www.sprinkler-irrigation.co.uk)

Sprinkler Irrigation Systems Ltd

Tel +44 1384 423150

Fax +44 1384 886440

Email [Sales@sprinkler-irrigation.co.uk](mailto:Sales@sprinkler-irrigation.co.uk)