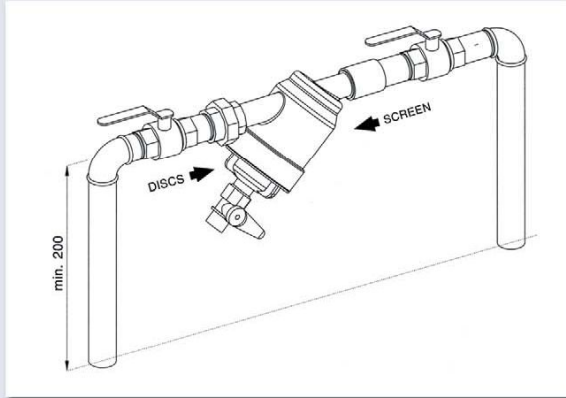
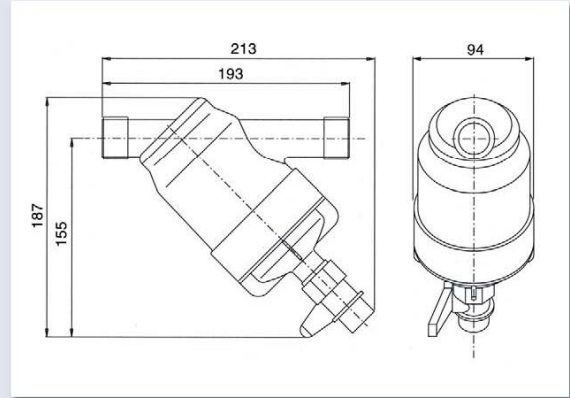


# 1"-S - 1 1/2"-S PLASTIC FILTERS FOR FLOW RATES UP TO 15 m<sup>3</sup>/h

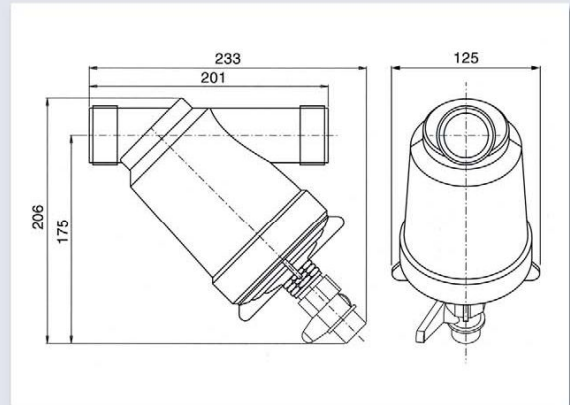
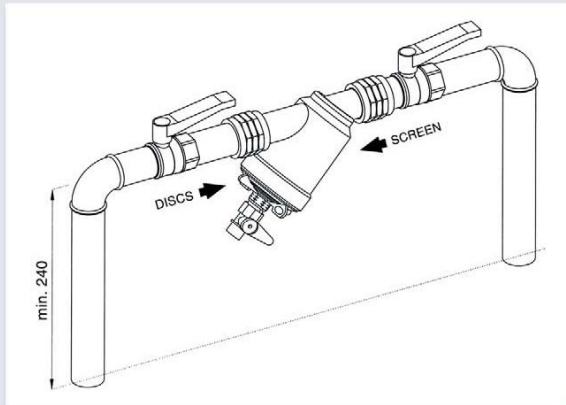
## 1"-S Suggested installations



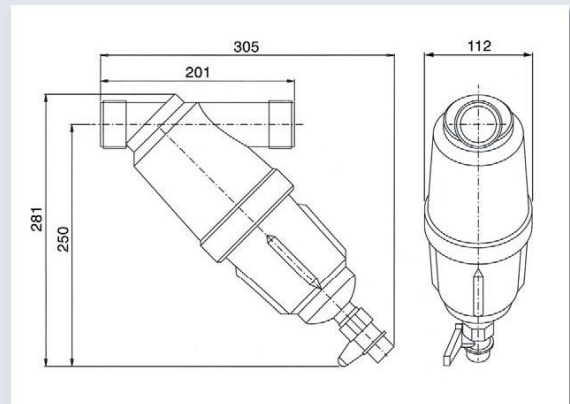
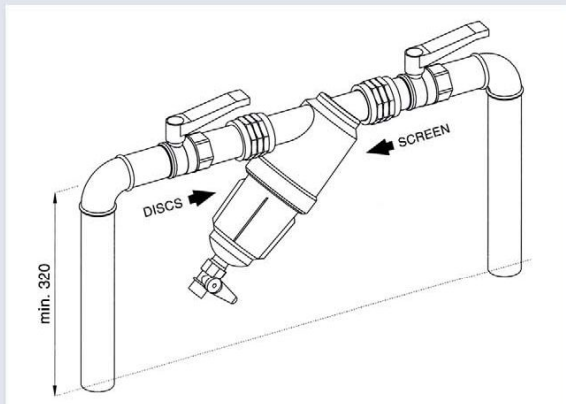
## Dimensional drawings



## 1 1/2"-Compact



## 1 1/2"-Super



## Technical specifications

Filter type	Inlet/Outlet Ø [mm; inch]	Maximum flow [m <sup>3</sup> /h]	Maximum pressure [bar]	Maximum temp. [°C]	Filter area [cm <sup>2</sup> ]		Weight [cm <sup>2</sup> ]	
					Screen	Discs	Screen	Discs
1"-Super	25 mm; 1"	7	10	60	170	200	0.52	0.63
1 1/2"-Compact	40 mm; 1 1/2"	15	10	60	170	200	0.76	0.86
1 1/2"-Super	40 mm; 1 1/2"	15	10	60	340	460	1.0	1.2

# 3/4" - 1" - C PLASTIC FILTERS FOR FLOW RATES UP TO 5 m<sup>3</sup>/h

## Dimensional drawings

